



## **PlusPRO 5 Series ISO Rack/Tower**

**ON-LINE UPS**

**6000VA & 10000VA**

**(Embedded with Isolation Transformer)**

# PlusPRO 5 Series

6KVA/5.4KW & 10KVA/9KW



PlusPRO 5 Series



PlusPRO 5 Series ISO

Embedded with Isolation Transformer

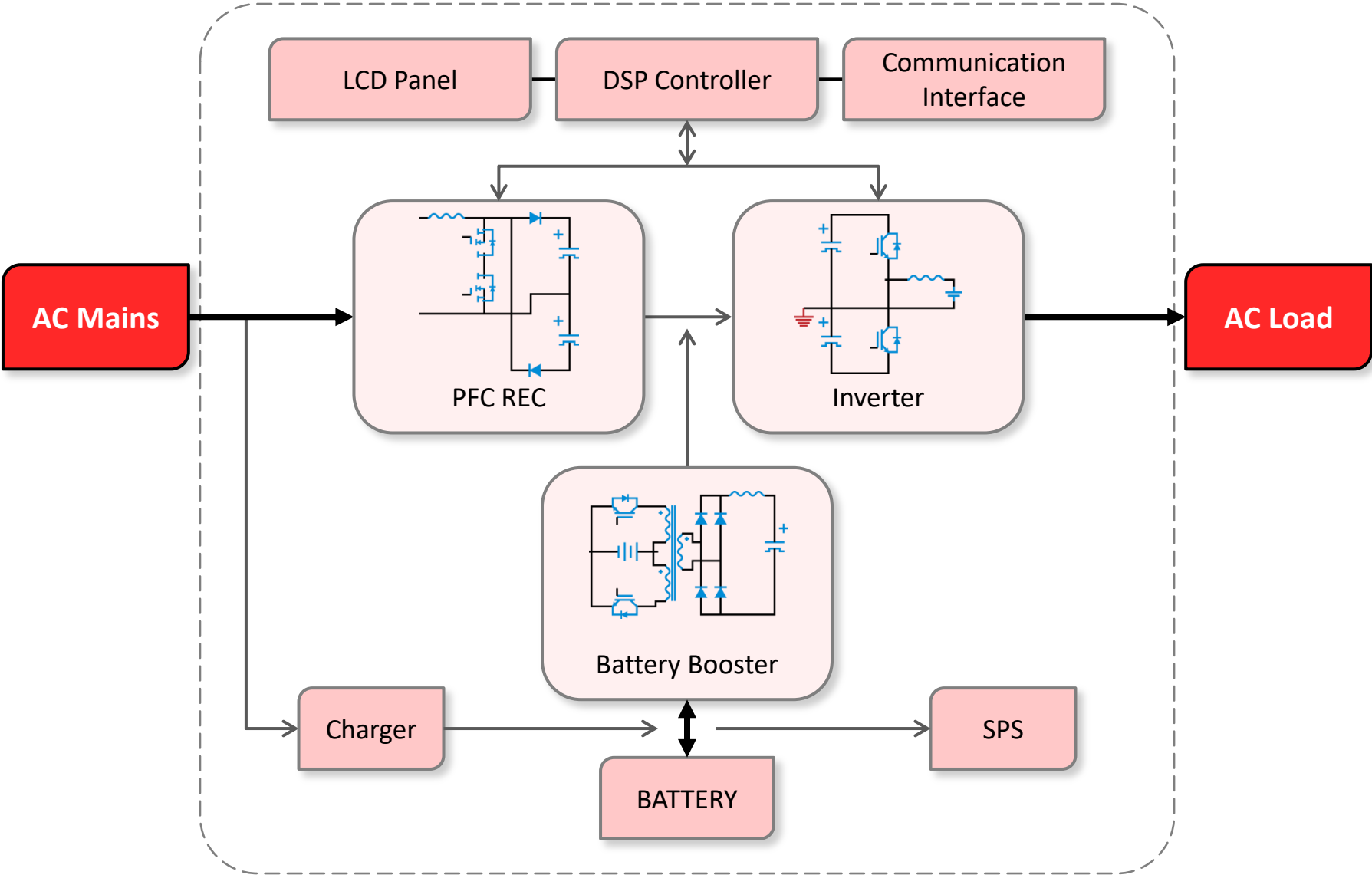
# Product Introduction

**PlusPRO 5 series** 6KVA to 10KVA is a true double conversion online UPS with **pure sinewave output, zero transfer time** and **enhanced capacity**. With split-type design, it flexibly complies with users' demand no matter for standard or long time operation.

Featuring 6KVA, 10KVA integrated with **LCD display, Power Distribution Unit(PDU), high output power factor 0.9**, outstanding performance, optional isolation transformer box and optional external battery bank.



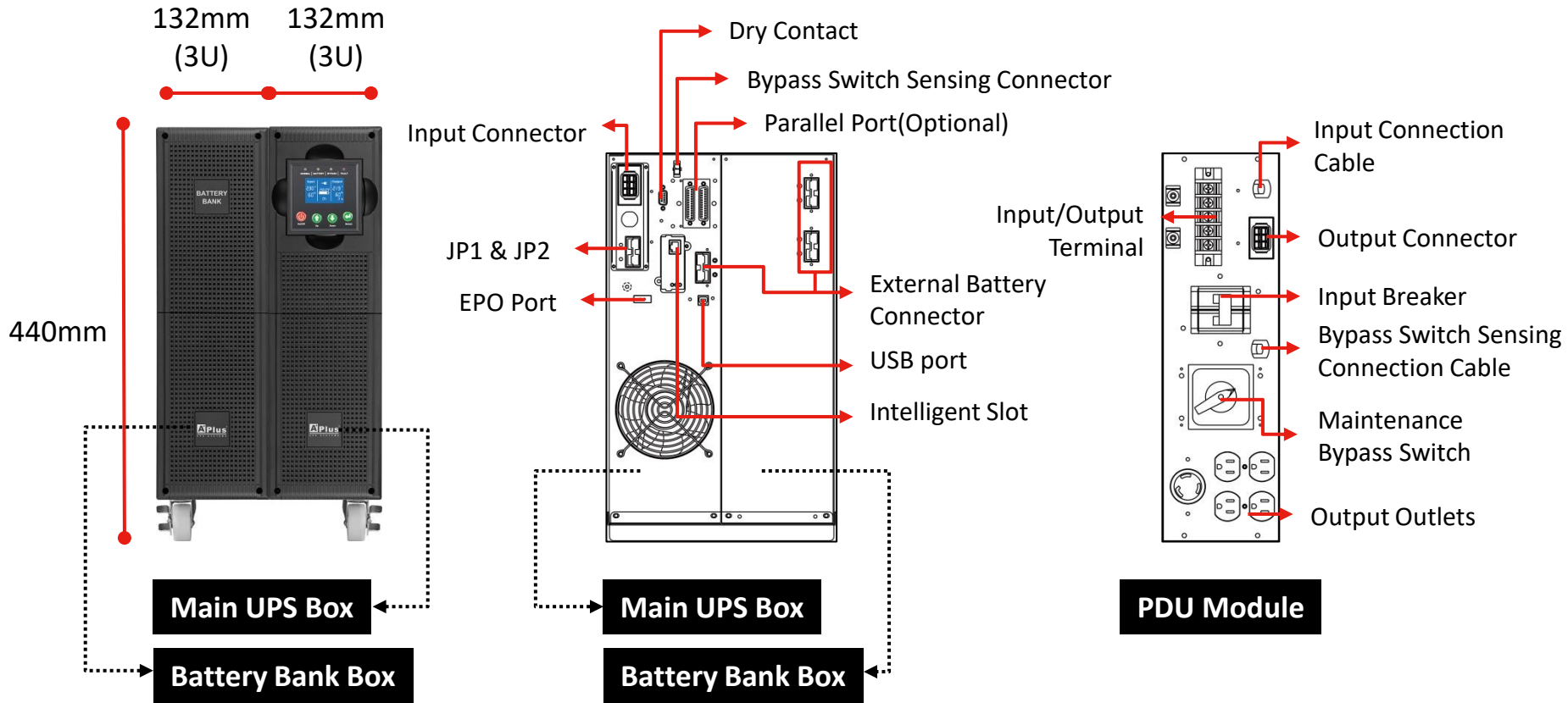
# Basic Functional Module and Power Topology



# Structural Diagram – PlusPRO 5-6K

## Standard Model with PDU Module

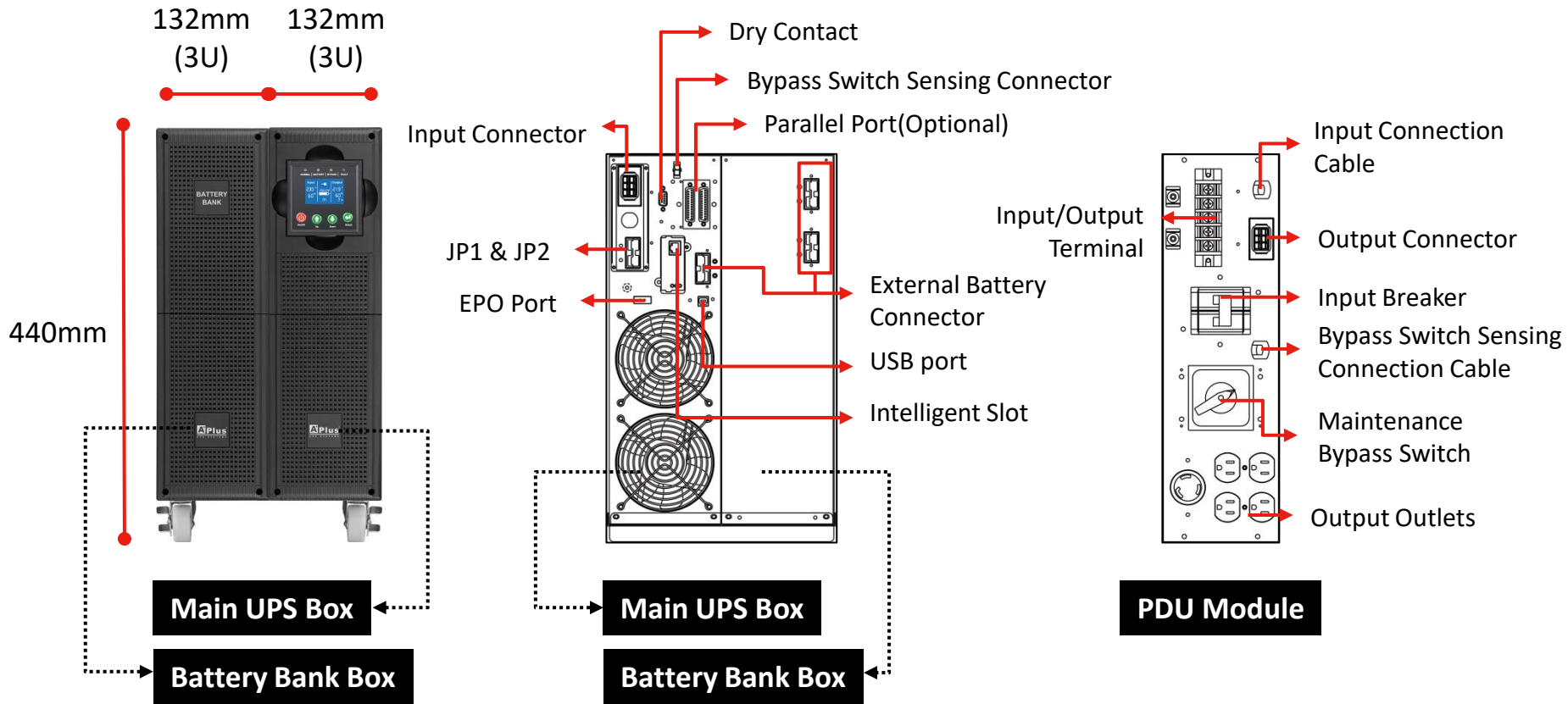
Demand Voltage for INPUT: 220/230/240Vac ; OUTPUT: 220/230/240Vac



# Structural Diagram – PlusPRO 5-10K

## Standard Model with PDU Module

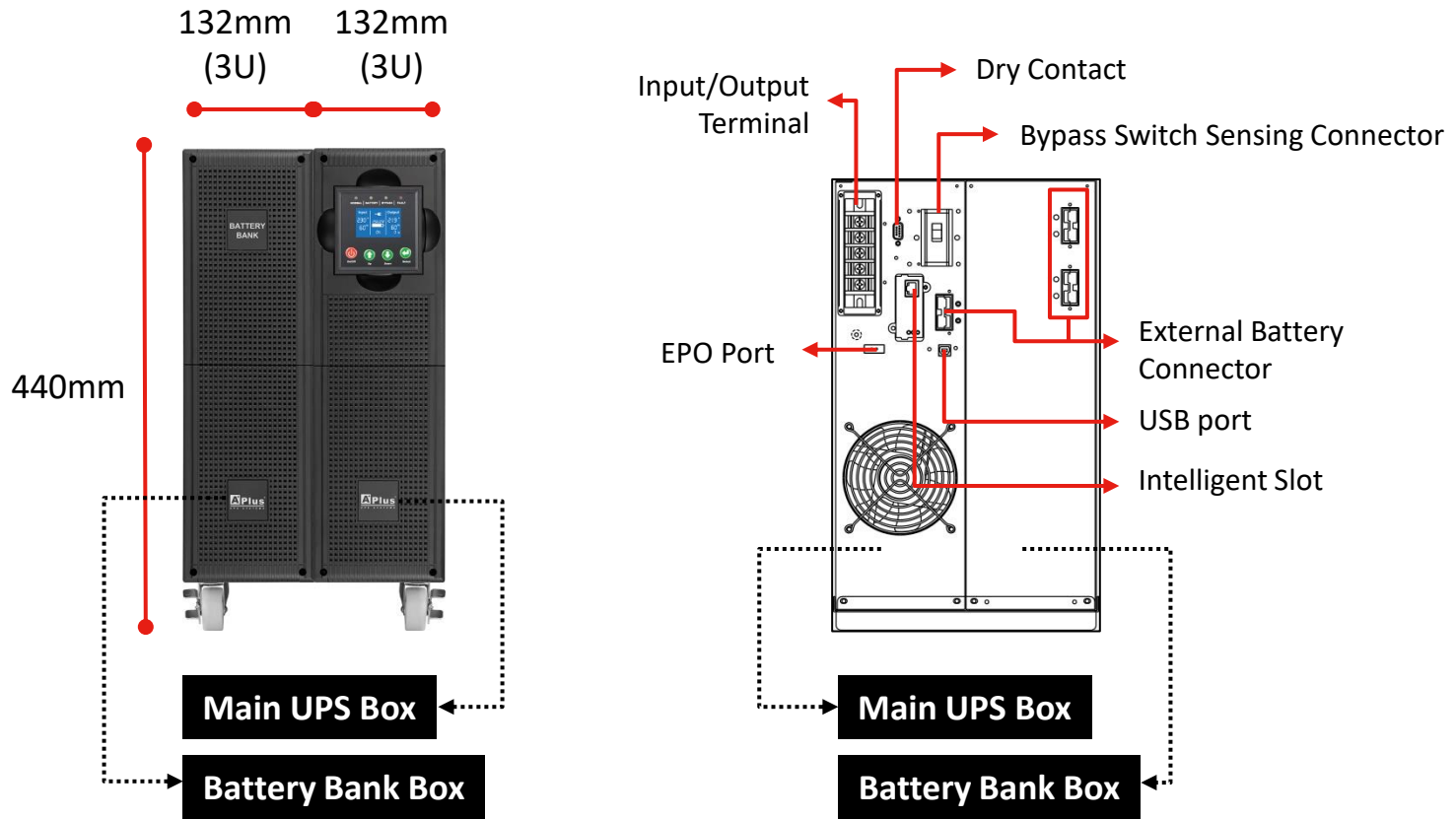
**Demand Voltage for INPUT: 220/230/240Vac ; OUTPUT: 220/230/240Vac**



# Structural Diagram – PlusPRO 5-6K

**Optional Model without PDU Module**

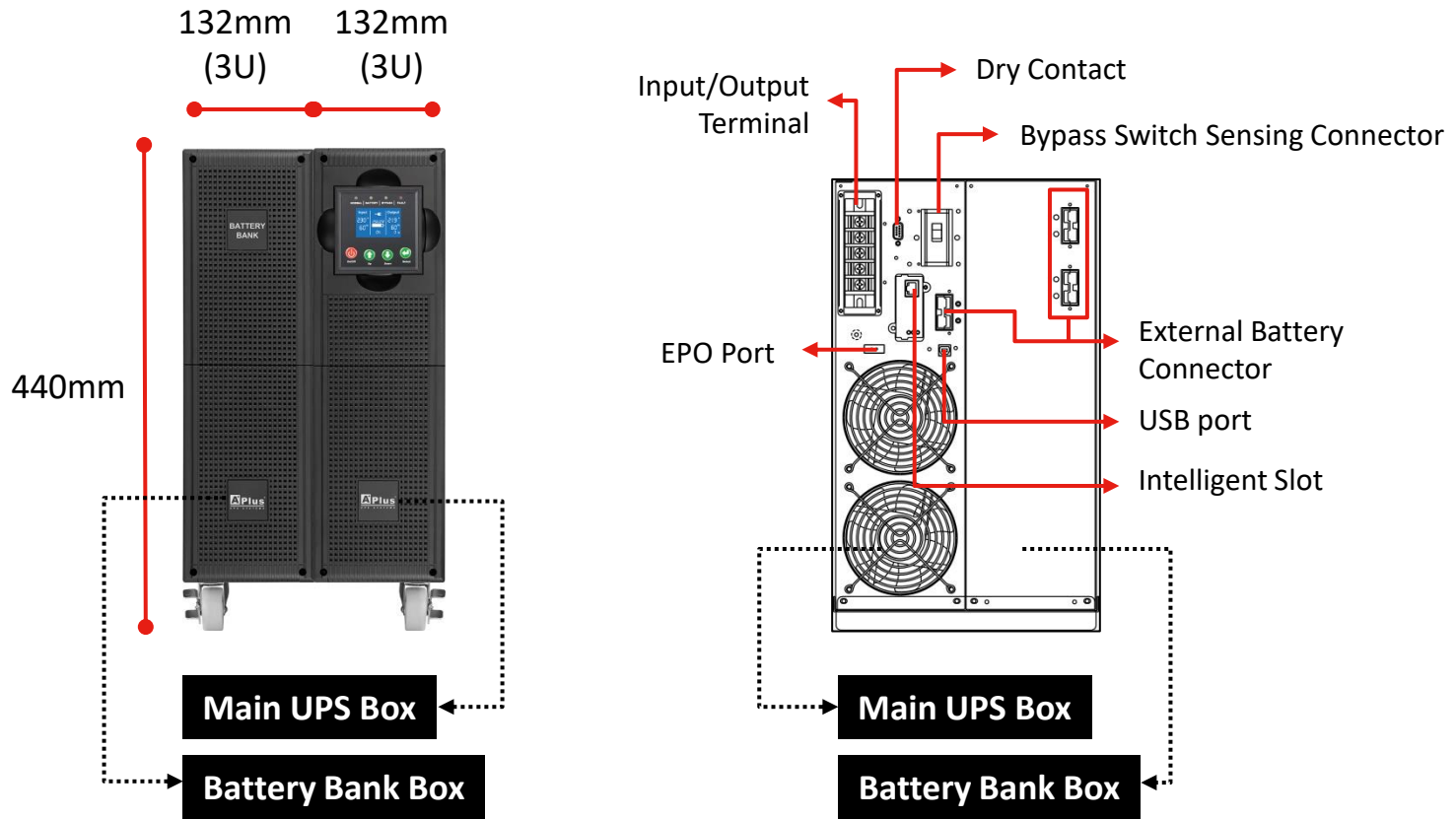
**Demand Voltage for INPUT: 220/230/240Vac ; OUTPUT: 220/230/240Vac**



# Structural Diagram – PlusPRO 5-10K

Optional Model without PDU Module

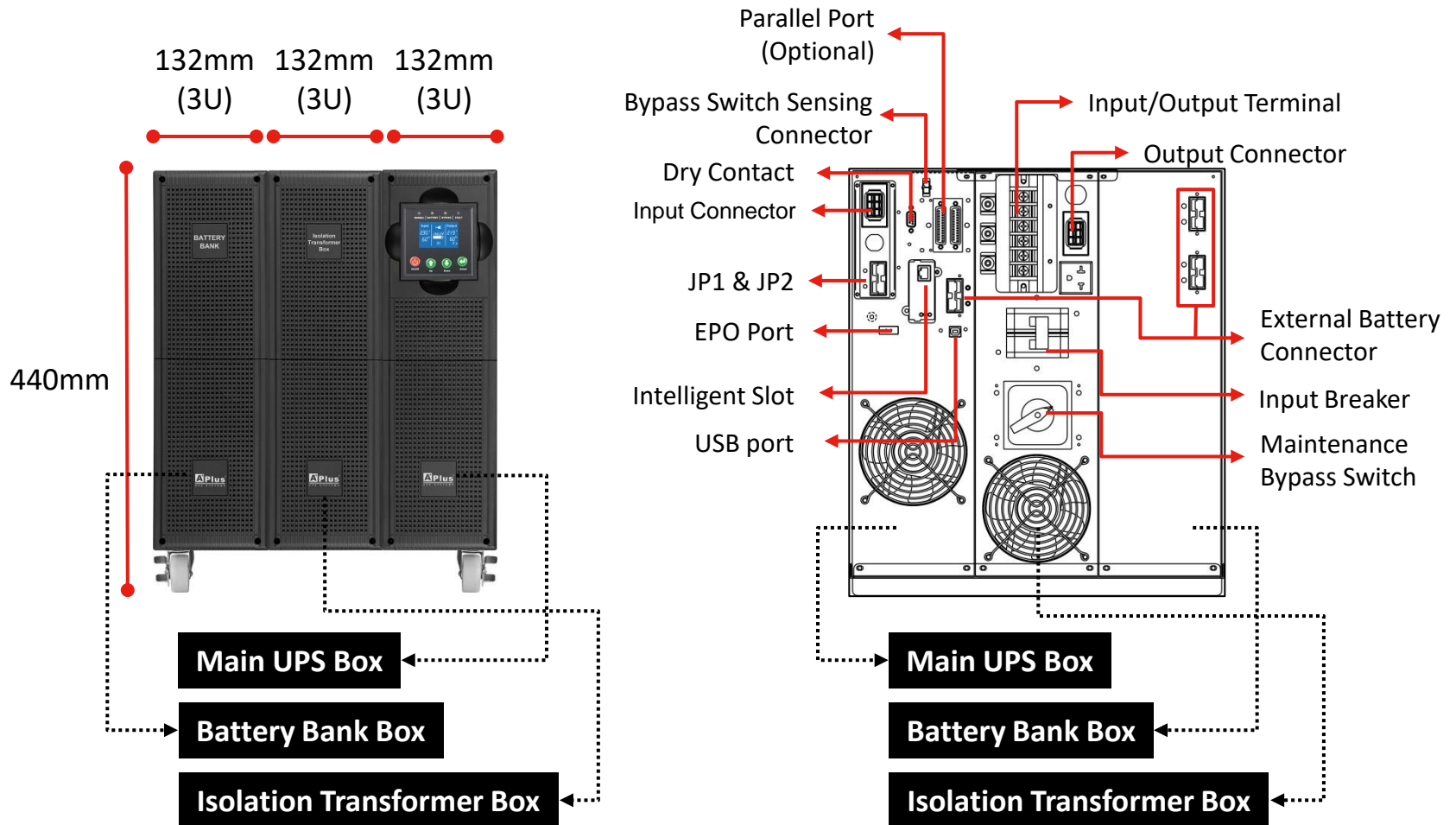
Demand Voltage for INPUT: 220/230/240Vac ; OUTPUT: 220/230/240Vac





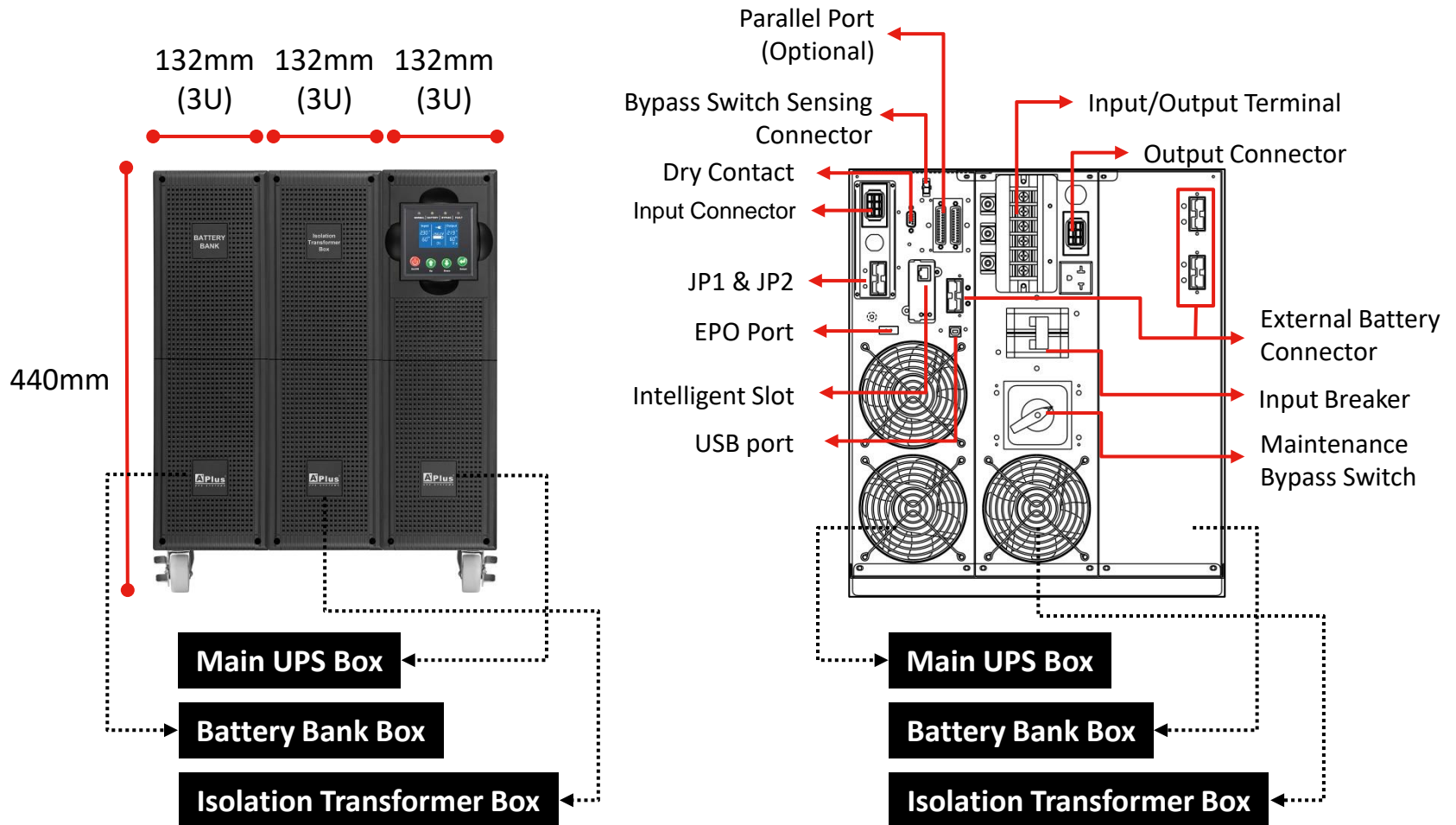
# Structural Diagram – PlusPRO 5-6K-ISO

**Demand Voltage for INPUT: 220/230/240Vac ;**  
**OUTPUT: 110/220Vac or 115/230Vac or 120/240Vac**



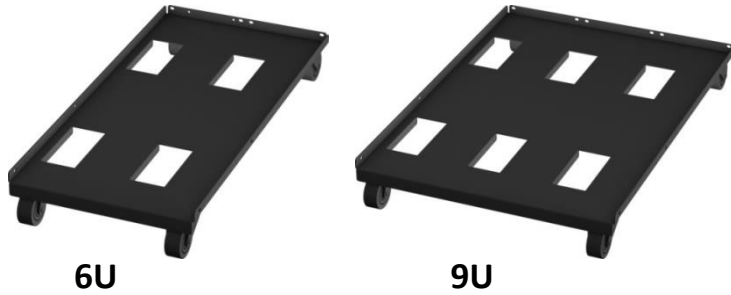
# Structural Diagram – PlusPRO 5-10K-ISO

**Demand Voltage for INPUT: 220/230/240Vac ;**  
**OUTPUT: 110/220Vac or 115/230Vac or 120/240Vac**



# Accessories

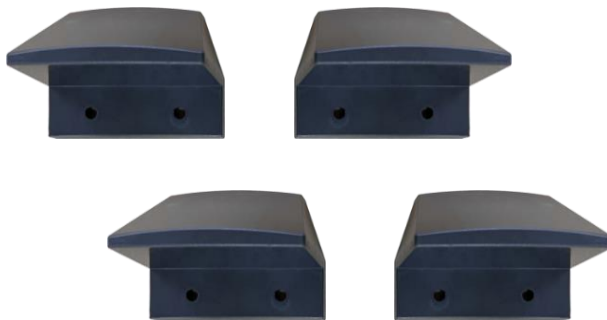
## Tray Wheels



## Mounting Bracket



## Stabilizing Feet



## PDU



# Tower/Rack Convertible

Rotate the screen 90 degrees



**Tower Type**

Remove the Tray Wheels



**Rack Type**

# External Battery Bank

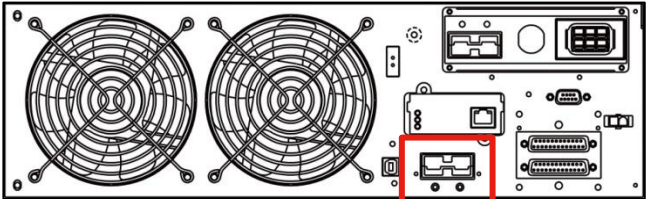


**Tower Type**



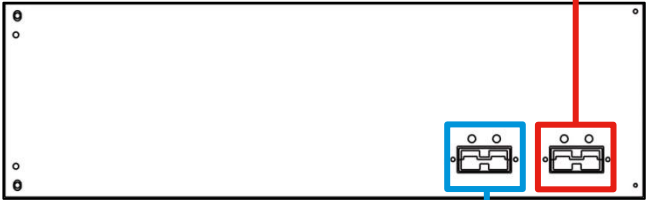
**Rack Type**

**Main UPS Box**



1

**Battery Bank Box-1**



2

**Battery Bank Box-2**



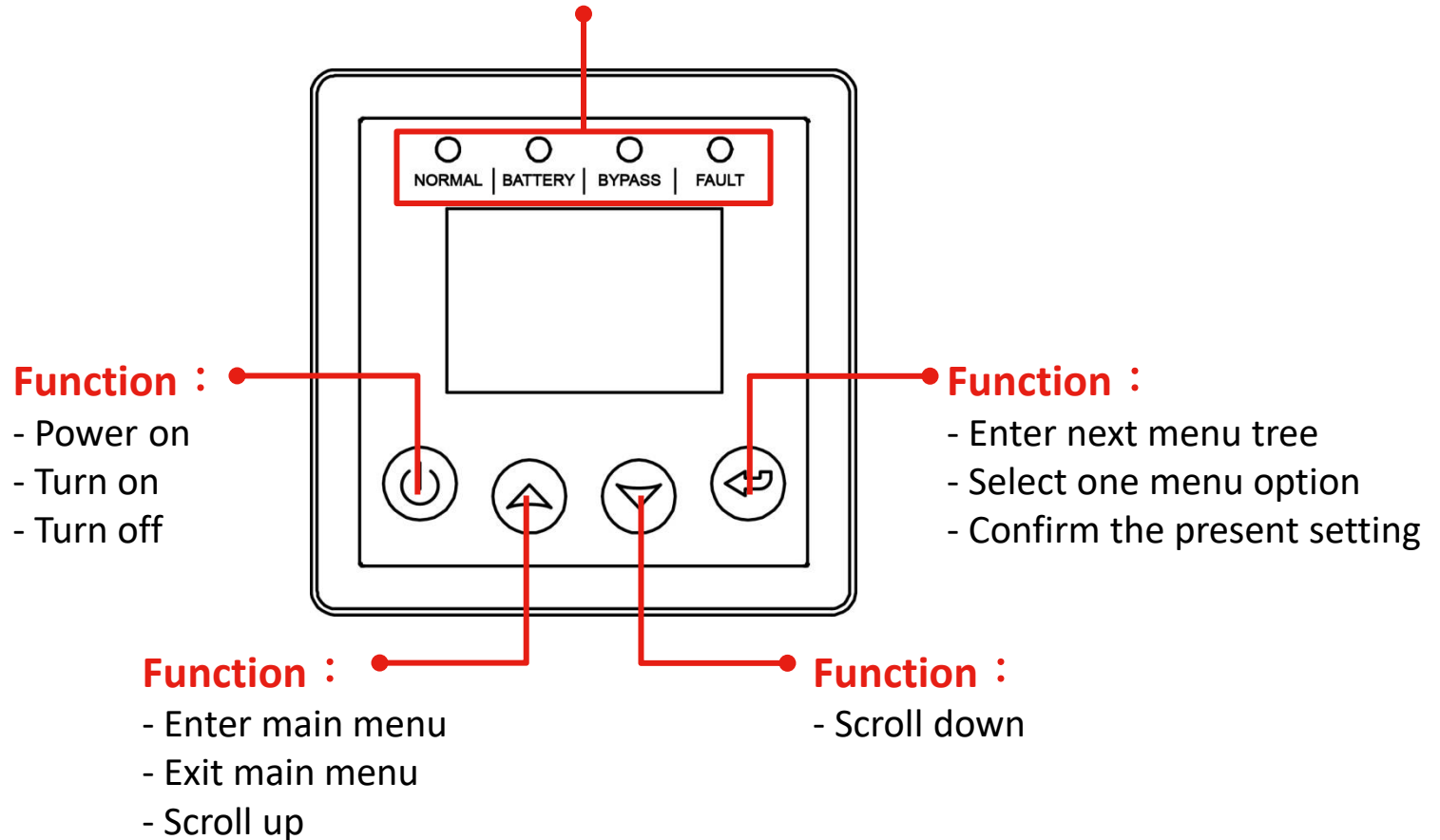
3

N

# Control Panel Information

## LED Definition :

Normal LED / Battery LED / Bypass LED / Fault LED

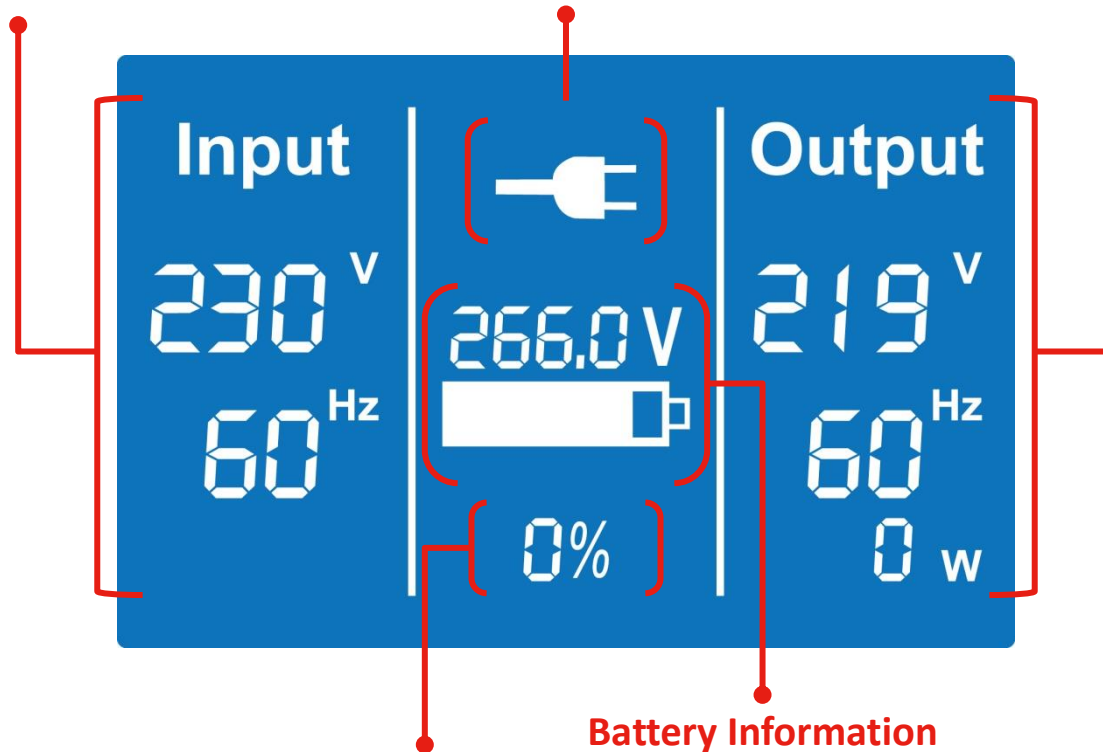


# LCD Display

Utility Input Information

UPS Operating Status

UPS Output Information



Load Information

Battery Information

## Features



Isolation transformer in split rack box with maintenance bypass switch (Optional)



N+X parallel redundancy and capacity expansion (Optional)



High performance true double conversion On Line UPS



Microprocessor control guarantees high reliability



High efficiency mode (ECO mode)



High efficiency mode (Line mode)



Rack/tower convertible design



Emergency Battery Back-up



Output power factor 0.9



Pure Sine wave Output



Modular design



# Specifications -1

MODEL	PlusPRO 5-6K-ISO	PlusPRO 5-10K-ISO
CAPACITY	6KVA/5.4KW	10KVA/9KW
<b>INPUT</b>		
Phase	1 Phase 2 Wires with Ground	
Voltage	220/230/240Vac	
Frequency	50Hz or 60Hz (Auto-sensing)	
THDi	<5% with R full load	
<b>OUTPUT</b>		
Phase	1 Phase 3 Wires with Ground	
Voltage	220/110Vac, 230/115Vac, or 240/120Vac (set via control panel)	
Voltage Regulation	+/-2%	
Frequency (Battery Mode)	50Hz or 60Hz +/-0.05Hz	
Waveform	Pure Sinewave	
THD	<2% (linear load), <5% (non-linear load)	
Crest Ratio	3 : 1	
<b>EFFICIENCY</b>		
To AC Mode	>92% at full load and battery fully charged	
To Battery Mode	>92% at full load and 12VDC/battery	
To ECO Mode	>96% at full load and battery fully charged	

\*Product specifications are subject to change without further notice.

## Specifications -2

MODEL	PlusPRO 5-6K-ISO	PlusPRO 5-10K-ISO
<b>BATTERY</b>		
Type	Maintenance free sealed lead-acid battery	
Voltage	240VDC	
Capacity & Number	12V/7AH*20pcs	12V/9AH*20pcs
Recharge Time	7 hours to 90%	8 hours to 90%
<b>TRANSFER TIME</b>		
Line Mode to Battery Mode	0ms	
Inverter to Bypass	0ms	
ECO Mode to Inverter	<10ms	
<b>DISPLAY</b>		
LED Indicator	Normal (Green), Bypass (Yellow), Fault (Red), Battery (Yellow)	
LCD Display	Load level, Battery voltage, Battery mode, AC mode, Bypass mode information	
<b>AUDIBLE ALARM</b>		
Battery Mode	Beeps Every 4 Seconds	
Low Battery	Sounding Every Second	
Overload	Sounding Twice Every Second	
Fault	Beeping Continuously	

\*Product specifications are subject to change without further notice.

## Specifications -3

MODEL	PlusPRO 5-6K-ISO	PlusPRO 5-10K-ISO
<b>COMMUNICATIONS</b>		
Interface (Port)	USB Port (Dry Contact is optional)	
Intelligent Slot	Yes, but SNMP card is optional	
EPO	Emergency Power Off	
<b>ENVIRONMENT</b>		
Operating Temperature	0°C-40°C (32°F-104°F)	
Humidity	0-95% (Non-condensing)	
Acoustic Noise	<50dB at 1M	
<b>PHYSICAL</b>		
Format of Main UPS	Tower/Rack: 3U	
Main UPS (D*W*H)	610*440*135mm	
Format of Isolation Box	Tower/Rack: 3U	
Isolation Box (D*W*H)	610*440*135mm	
Format of Battery Box	Tower/Rack: 3U	
Battery Box (D*W*H)	610*440*135mm	

\*Product specifications are subject to change without further notice.



**APLUS POWER CORP.**

Aplus, Reliable Power Brand Deserve Your Trust